



TurnAround

Get moving

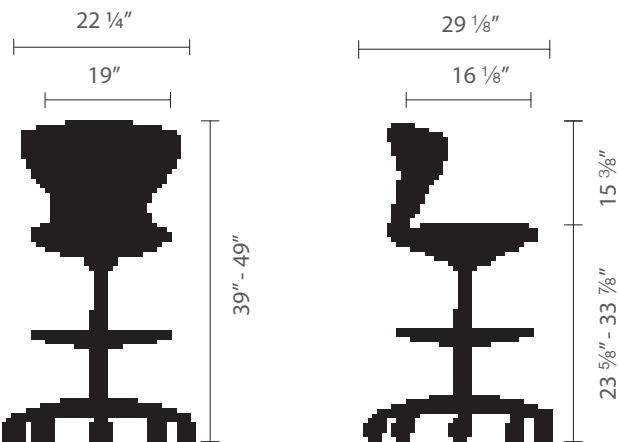
Wherever you want to foster flexibility and collaboration – at high desks or low tables – TurnAround is ready for action. TurnAround creates a dynamic sitting experience, encourages posture movement and fosters lively interaction among colleagues.

TurnAround

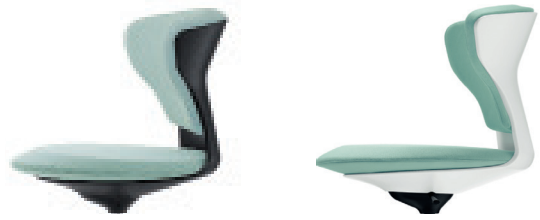
Chair or stool



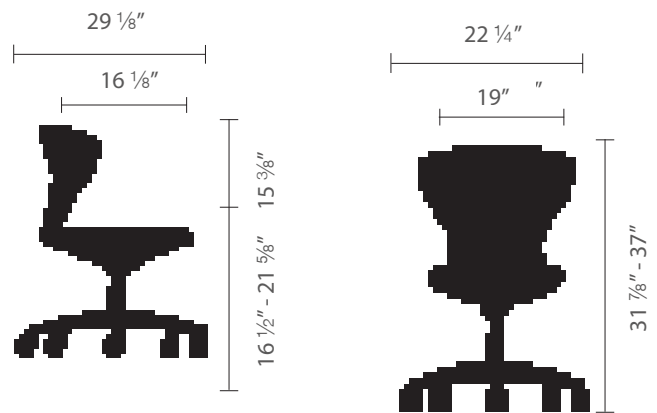
Choose: Seat and back upholstery; hard or soft casters; aluminum base (optional)



Shell



Choose: Black or white shell color
(note base will match shell unless optional polished aluminum is chosen)



	Overall Depth	Overall Width	Overall Height	Seat Height	Seat Depth	Seat Back Width	Weight capacity
TCTASTOOL	29 1/8"	22 1/4"	39" - 49"	23 5/8" - 33 7/8"	16 1/8"	19"	242 lbs/110 kg
TCTACHAIR	29 1/8"	22 1/4"	31 7/8" - 37"	16 1/2" - 21 5/8"	16 1/8"	19"	330 lbs/150 kg

Production

Assembled in Germany.
Lead time: approximately 9 weeks from order acknowledgement
(call for details).